

APS- SPD Class 2 Din Rail

APS320/PN-S 1P
 APS320/PN-S 2P
 APS320/3PN-S 4P

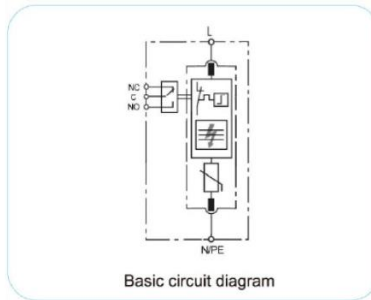
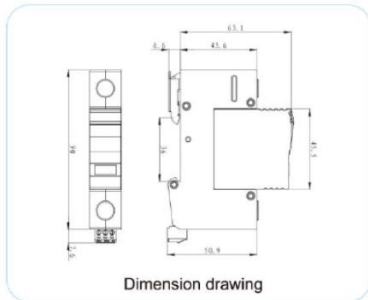


ABOUT PRODUCT

The APS – SPD Class 2 Din Rail is an IEC 61643-11:2011/EN61643-11:2012 approved SPD. Featuring an internationally patent design, the device is thermally protected TMOV with arc-extinguish for fast and reliable protection. Built with window fault indication and an optional remote alarm contact, the device monitors the operating status of surge protectors.

MAIN FEATURES

- Built with thermal protection
- MOV technology (Patented SMTMOV Technology)
- Large surge energy capability
- Low voltage protection level
- DIN-rail mountable for easy installation
- Degradation failure indication
- Fail-safe, self-protected design
- Pluggable module for easy replacement
- IEC 61643-11:2011/EN61643-11:2012 certified Type 2 SPD



MAIN SPECIFICATIONS

Category IEC/VDE	T2
Nominal Discharge Current (8/20) In	20kA
Maximum Discharge Current I _{max}	40kA
Frequency	48-62 Hz
Follow Current	MOV Model: Nil; GDT Model: 100A Auto cut-off
Thermal Disconnector	Internal: Green - Normal: Red - Failure
Wire Range	Single- Strand 35mm ² ; multi-strand 25mm ²
Mounting	35mm DIN-Rail
Degree of Protection	IP20
Flammability	UL 94 V0
Operation & Storage Temperature	- 40°C to 80°C
Remote Alarm Contact	NO/NC/C Isolated Form C
Remote Alarm Contact Capability Un/In	AC: 250V/0.5A DC: 250V/0.1A; 75V/0.5A
Remote Alarm Contact Connecting Wire	Max 1.5 mm ² or #16AWG



1/16 Juna Drive, Malaga, WA 6090, Australia

P +61 8 9248 6398 M +61 410 365 289 E marco@antipodespower.com
 www.antipodespower.com

ABN 11 616 890 183