

# APS- SPD Data Network 19

DSB-05/ RJ45 CAT6-POE

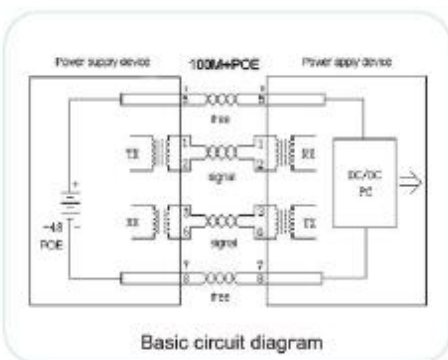
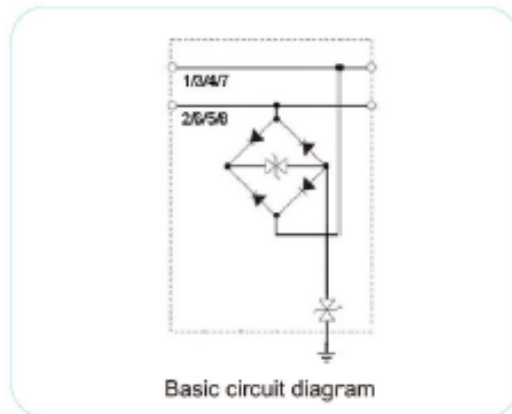


## ABOUT PRODUCT

The APS – SPD Data Network offers 16 ports surge protection modules with RJ45 connections.

## MAIN FEATURES

- Fast Response
- 16 port surge protection module with RJ45 connector
- Available for Ethernet Network and Telecom
- 19" bay design- can be installed on standard 19' rack cabinets
- IEC 61643-21 Certified Telecommunications protector



## MAIN SPECIFICATIONS

|   |   |                              |
|---|---|------------------------------|
| Type  | DSB-0.5/RJ45-CAT6-16P (POE)                       |                              |
| Certification                                 | IEC 61643-21, EN50173 Cat. 6                      |                              |
| Pinning                                       | 1/2, 3/6, 4/5, 7/8 for data                       | 1&2/ 3&6 or 4&5/ 7&8 for POE |
| Nominal Voltage (Vdc) Un                      | 5   | 48                           |
| Max. Continuous Operating Voltage (Vdc/ac) Uc | 6/5   | 60/48                        |
| C2 Nominal Discharge Current (8/20) In        | 100A  |                              |
| C2 Total Nominal Discharge Current (8/20us)   | 400A  |                              |
| Voltage Protection Level (V)                  | @C2 (8/20 us) Up                                  | <250                         |
|   | @C3 (8/20 us) Up                                  | <190                         |
|   | --  | 0.5                          |
|   | 1000Mbps  | --                           |
|   | ≤3.0  | --                           |
|   | 10BaseT/ 100BaseT/ 1000 BaseT/ 1000 BaseTX (CAT6) | --                           |
|   | 19 inch standard machine cabinet                  |                              |
|   | RJ45 Female/ Female 16pcs                         |                              |
| Dimensions (L x W x H) mm                     | 428 x 89 x 27 mm                                  |                              |
| Operating Temperature                         | - 0°C ~ 80°C                                      |                              |



1/16 Juna Drive, Malaga, WA 6090, Australia

P +61 8 9248 6398 M +61 410 365 289 E marco@antipodespower.com  
www.antipodespower.com

ABN 11 616 890 183